

SRML Editor Practice (2)

“Procurement”

CO7205 Advanced System Design

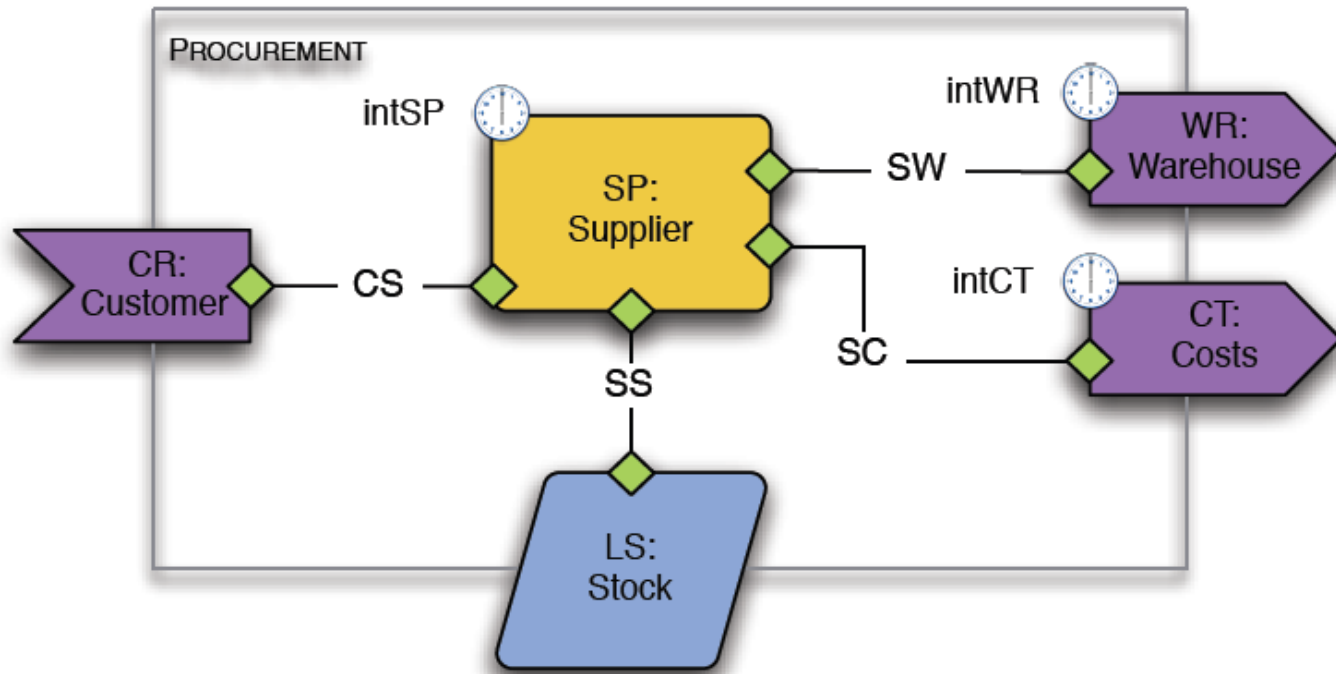
José Fiadeiro
Laura Bocchi
Yi Hong

Lab sheet and materials

<http://www.cs.le.ac.uk/srml/>

Practice

Download uncompleted SRML module “**Procurement**” from http://www.cs.le.ac.uk/srml/tutorial/Procurement_incomplete.txt



- Lecture Note 10

<https://campus.cs.le.ac.uk/teaching/resources/CO7205/ASD.10.pdf>

- Lecture Note 11

<https://campus.cs.le.ac.uk/teaching/resources/CO7205/ASD.11.pdf>

Exercise 1

- (1) Create an empty SRML project. [1]
- (2) Copy and paste all content of ***Procurement_incomplete.txt*** to ***model.srml***
- (3) Create a new ***Business Protocol*** called ***Customer***, complete the interactions according to page 9 of lecture note *ASD.10.pdf* [2].
- (4) In the source code view, create a new ***Layer Protocol*** called ***Stock***, complete the interactions according to page 11 of lecture note [2]

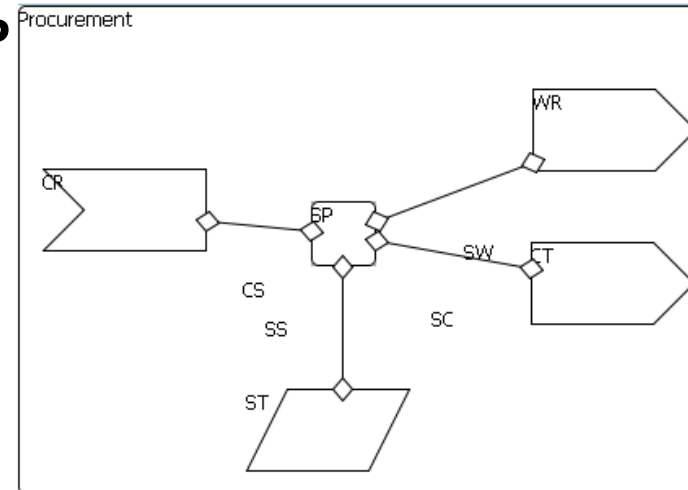
Sample answer (fragment):

<http://www.cs.le.ac.uk/srml/tutorial/sampleAnswer1.txt>

- [1] Simply click “Finish” in the wizard
- [2] <https://campus.cs.le.ac.uk/teaching/resources/CO7205/ASD.10.pdf>

Exercise 2

- (1) Initialise SRML diagram for *model.srml* and open it in the **Graph Editor**
- (2) Drag and drop a **Provide Interface** from palette and name it as “**CR**”, assign Business Protocol **Customer** that we just created from the property view.
- (3) Similarly, drag and drop a **Use to SRML** module diagram using Graph Editor, name it as “**ST**”, assign **layerProtocolStock** we just created from the property view
- (4) Create wire **CS** between **CR** and **SP**
- (5) Create wire **SS** between **SP** and **ST**

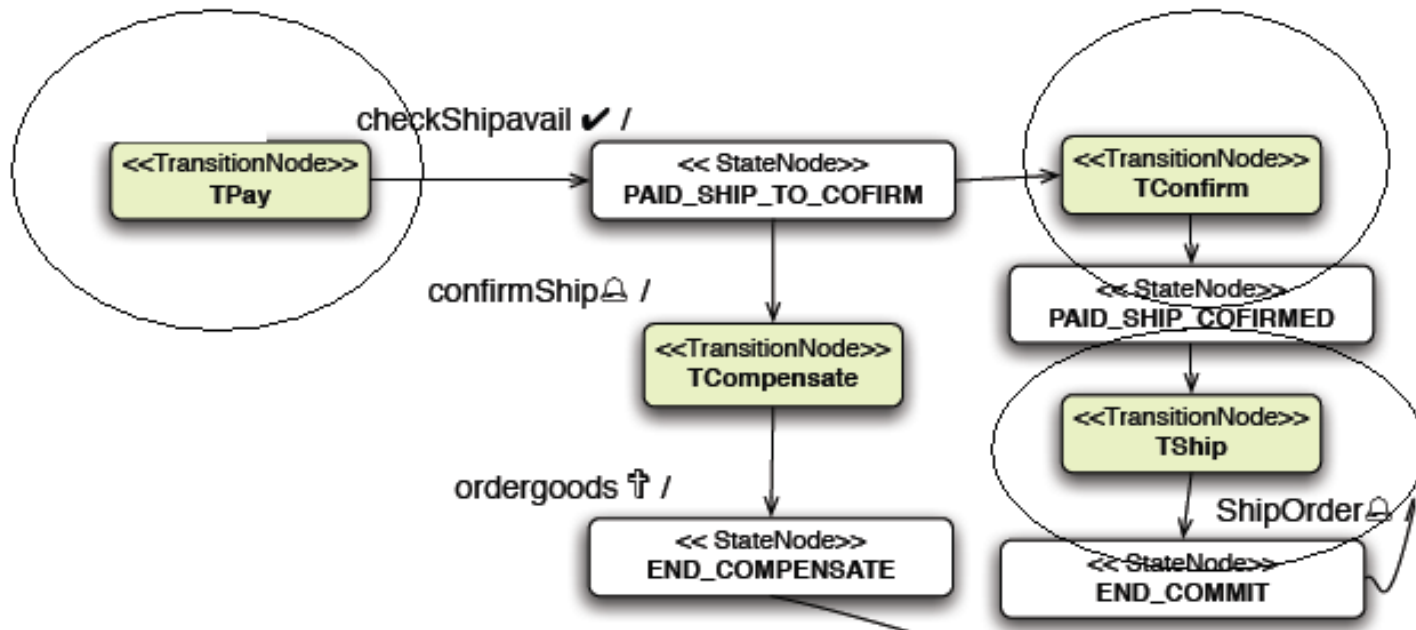


Sample answer:

<http://www.cs.le.ac.uk/srml/tutorial/sampleAnswer2.txt>

Exercise 3

complete following transitions (1) *Tpay* (2) *TConfirm* (3) *Tship* according to page 26 of lecture slide ASD.11.pdf *,



Sample answer:

<http://www.cs.le.ac.uk/srml/tutorial/sampleAnswer3.txt>

•. * ASD.11.pdf <https://campus.cs.le.ac.uk/teaching/resources/CO7205/ASD.11.pdf>

Completed sample answer:

<http://www.cs.le.ac.uk/srml/tutorial/Procurement.txt>